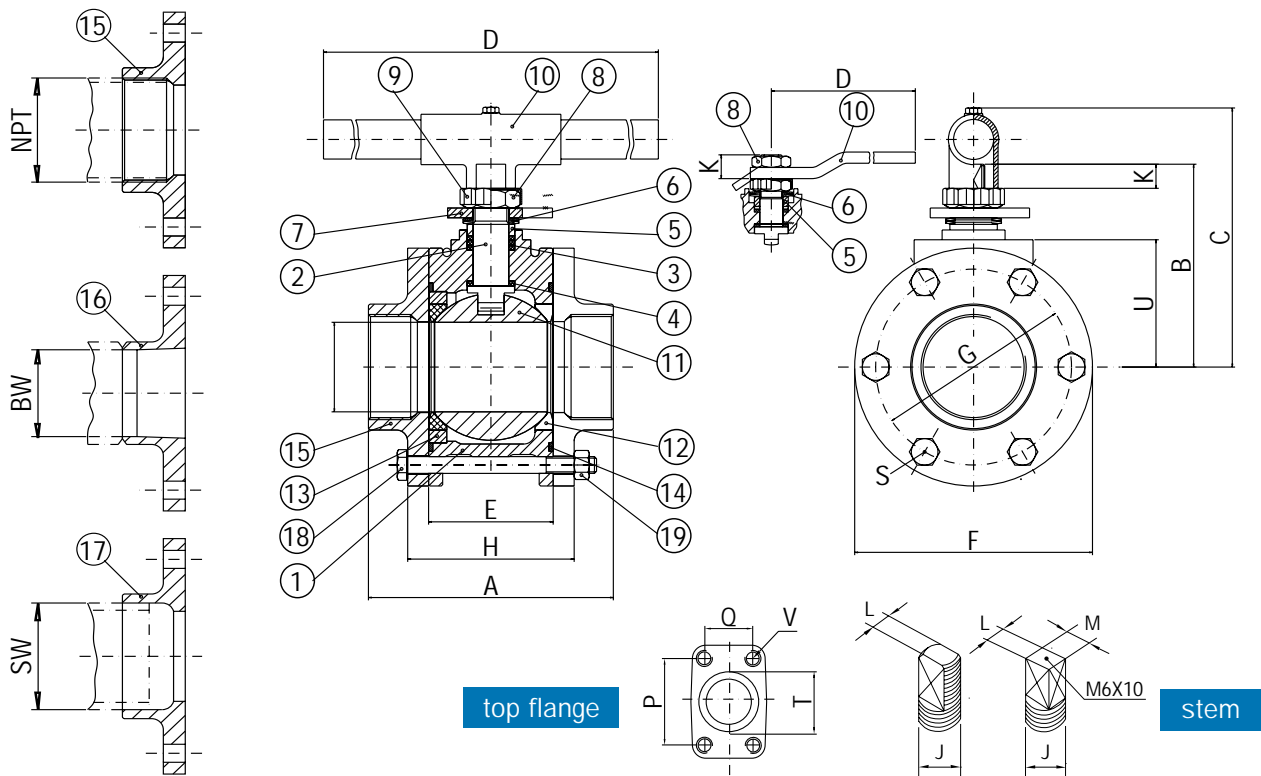


SERIES 26



| | 2644 | 2666 | |
|----|--------------------|----------------|------|
| 1 | Body | WCB | CF8M |
| 2 | Stem | AISI316L | |
| 3 | Stem Seal | PTFE-carbon | |
| 4 | Thrust Washer | PTFE-carbon | |
| 5 | Stem Seal Follower | AISI303 | |
| 6 | Belleville Springs | AISI301 | |
| 7 | Stop Plate | AISI 316L/CF8M | |
| 8 | Hex. Nut | AISI303 | |
| 9 | Lock Cap | AISI304 | |
| 10 | Handle | CF8M | |

| | 2644 | 2666 | |
|----|-----------------|--------------|----------|
| 11 | Ball | CF8M | |
| 12 | Seat | PTFE-GLASS | |
| 13 | Centre Ring | CF8M | |
| 14 | Body Seal | PTFE - GLASS | |
| 15 | Screwed End | A105N | AISI316L |
| 16 | Butt Weld End | A105N | AISI316L |
| 17 | Socket Weld End | A105N | AISI316L |
| 18 | Body Bolt | AISI1034 | AISI304 |
| 19 | Body Nut | AISI1034 | AISI304 |

regular bore 2 1/2" - 6"

| SIZE | BW | SW | ∅ | A | B | C | D | E | F | G | H | J | K | L | M | P | Q | S | T | U | V |
|--------|------|------|------|------|------|------|-------|------|------|------|------|--------|------|------|------|------|------|---------|------|------|-----|
| 2 1/2" | 2.47 | 3.03 | 1.97 | 5.79 | 3.90 | 4.01 | 6.89 | 2.81 | 5.51 | 4.49 | 3.94 | M16x15 | 0.63 | 0.43 | - | 2.12 | 0.98 | M12X115 | 1.50 | 2.95 | M6 |
| 3" | 3.07 | 3.54 | 2.52 | 6.89 | 5.71 | 6.97 | 19.68 | 3.50 | 6.70 | 5.50 | 4.68 | UNF 1" | 0.90 | 0.75 | 0.83 | 2.56 | 1.42 | M12X135 | 1.77 | 3.58 | M8 |
| 4" | 4.03 | 4.58 | 3.25 | 8.46 | 6.34 | 7.60 | 19.68 | 4.27 | 8.11 | 6.89 | 5.55 | UNF 1" | 0.90 | 0.75 | 0.83 | 2.56 | 1.77 | M14X115 | 1.77 | 4.21 | M10 |
| 6" | 6.07 | - | 3.98 | 11.8 | 6.93 | 8.19 | 19.68 | 5.31 | 9.84 | 8.46 | 6.65 | UNF 1" | 0.90 | 0.75 | 0.83 | 2.56 | 1.77 | M14X185 | 1.77 | 4.96 | M10 |

full bore 2" - 4"

| SIZE | BW | SW | ∅ | A | B | C | D | E | F | G | H | J | K | L | M | P | Q | S | T | U | V |
|--------|------|------|------|-------|------|------|-------|------|------|------|------|--------|------|------|------|------|------|-----------|------|------|-----|
| 2" | 2.57 | 3.00 | 1.97 | 5.79 | 3.90 | 4.01 | 6.89 | 2.81 | 5.51 | 4.49 | 3.94 | M16x15 | 0.63 | 0.43 | - | 2.12 | 0.98 | M12 x 115 | 1.50 | 2.95 | M6 |
| 2 1/2" | 3.07 | 3.77 | 2.52 | 6.89 | 5.71 | 6.97 | 19.68 | 3.50 | 6.70 | 5.50 | 4.68 | UNF 1" | 0.90 | 0.75 | 0.83 | 2.56 | 1.42 | M12 x 135 | 1.77 | 3.58 | M8 |
| 3" | 3.82 | 4.40 | 3.25 | 8.46 | 6.34 | 7.60 | 19.68 | 4.27 | 8.11 | 6.89 | 5.55 | UNF 1" | 0.90 | 0.75 | 0.83 | 2.56 | 1.77 | M14 x 115 | 1.77 | 4.21 | M10 |
| 4" | 5.00 | 5.65 | 3.98 | 11.88 | 6.93 | 8.19 | 19.68 | 5.31 | 9.84 | 8.46 | 6.65 | UNF 1" | 0.90 | 0.75 | 0.83 | 2.56 | 1.77 | M14 x 185 | 1.77 | 4.96 | M10 |