

Baronshire B16-1S Powder Handling Wafer Type Butterfly Valves

Description

Wafer pattern, split body, rubber seated butterfly valve.



Manufacturing Standards

Pressure Rating: 1 bar - Full Vacuum

Temperature Range: -40°C to +121°C

Size Rating: DN50 to DN300

General Information

B16-1S Valves are designed for the transfer of powders within the Pharmaceutical, Food, Dairy and Chemical Industries. its unique design makes it ideally suited for the mounting to Bins, Vessels and Tankers.

Proven CIP without the need to remove component parts.

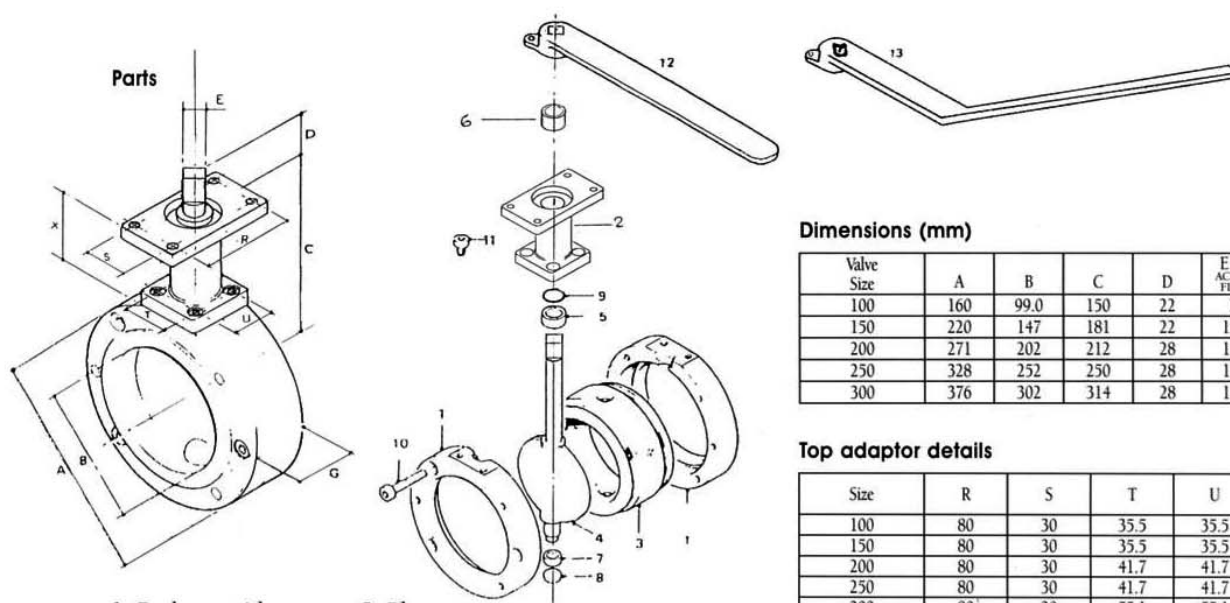
Features

- Bubble-tight shut off, guaranteed on 1 bar pressure and full vacuum
- One piece slim profile disc stem
- Clean in place
- Low torque
- High flow rates
- Minimum component parts
- ISO top plate for operator interchangeability from manual to automated
- Unique body design allows the valves to be used as a wafer pattern valve, but also allows butt weld or tri-clamp end to be bolted directly to the valve body

Materials of Construction

| | |
|----------------------------|---------------------|
| VALVE | B16-1S |
| BODY | 316 STAINLESS STEEL |
| ONE PIECE DISC STEM | 316 STAINLESS STEEL |
| LEVER | 316 STAINLESS STEEL |
| SEAT | EPDM, SILICONE |

Baronshire B16-1S Powder Handling Wafer Type Butterfly Valves Dimensions/Torques/Parts



- 1 Body cartridges
- 2 Top Adaptor
- 3 Seat
- 4 Disc/Stem
- 5 Centre Bush
- 6 Top Bush
- 7 Bottom Bush
- 8 Plug
- 9 'O'-ring
- 10 Body securing screws
- 11 Top adaptor securing screws
- 12 Lever (50-150mm)
- 13 Angled Lever (200-300mm)
Travel Stop (when lever fitted)

Dimensions (mm)

| Valve Size | A | B | C | D | E SQ ACROSS FLATS | G |
|------------|-----|------|-----|----|-------------------|----|
| 100 | 160 | 99.0 | 150 | 22 | 11 | 52 |
| 150 | 220 | 147 | 181 | 22 | 15.8 | 56 |
| 200 | 271 | 202 | 212 | 28 | 15.8 | 60 |
| 250 | 328 | 252 | 250 | 28 | 15.8 | 68 |
| 300 | 376 | 302 | 314 | 28 | 15.8 | 78 |

Top adaptor details

| Size | R | S | T | U | X |
|------|----|----|------|------|-----|
| 100 | 80 | 30 | 35.5 | 35.5 | 75 |
| 150 | 80 | 30 | 35.5 | 35.5 | 75 |
| 200 | 80 | 30 | 41.7 | 41.7 | 80 |
| 250 | 80 | 30 | 41.7 | 41.7 | 88 |
| 300 | 80 | 30 | 55.1 | 55.1 | 130 |

ISO Top Flange available on request

| Additional Through Fixing Holes on Body | | | |
|---|---------|---------------|--------|
| Valve Size (DN) | No. Off | Dia. of Holes | P.C.D. |
| 100 | 4 | 10 | 143 |
| 150 | 6 | 10 | 201 |
| 200 | 6 | 10 | 253 |
| 250 | 6 | 10 | 309.5 |
| 300 | 6 | 10 | 357.5 |

Torques (Nm)

(Opening and Closing/Seating and Unseating in normal conditions)

| Valve Size (DN) | Pressure 1 Bar |
|-----------------|----------------|
| 100 | 34 |
| 150 | 40 |
| 200 | 50 |
| 250 | 50 |
| 300 | 80 |

1 Nm = 8.85 lb. in.
1 Bar = 14.5 P.S.I.

